

P R B X

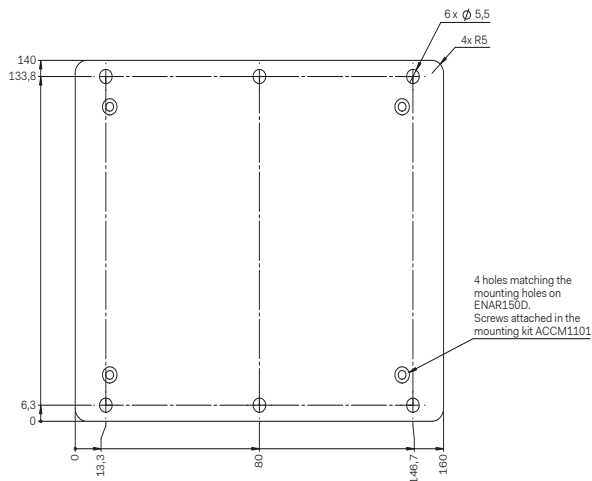
POWERBOX **Railway Line**
ENAR150D Series
Accessories

ACCM1101A Wall Mounting Kit

For fixed mounting of an ENAR150D converter on a wall or on the wall of a metal box. Be sure that the surface the plate is mounted to can absorb heat as the surface facing the wall /box dissipate most of the heat from the converter.

Kit Content

1 pc aluminium mounting plate (PBSE1322058) 160x140mm, 2mm thick
4 pc M4 screw

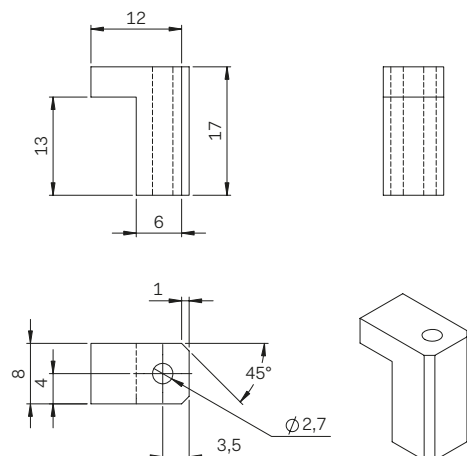


ACCM1102A Connector Locking Block Kit

Connector blocks used to fix the connector by the ENAR150D, securing the connector for any mechanical stress.

Kit Content

2 pc Connector locking block (PBSE1322057)
2 pcs screw (type).



ACCM1103A Front Plate Kit

Front plate kit for mounting ENAR150D in DIN 41612 compatible euro card racks.

Kit Content

- 1 pc front plate
- 1 pc handle
- 1 pc screw M2,5 x 8 mm,
- 1 pc screw M2,5 x 16 mm
- 2 pcs collar screw
- 2 pcs sleeve
- 1 pc cover aluminum plate (for front handle)

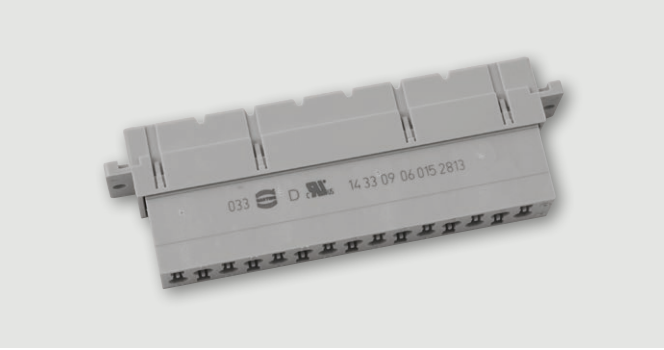
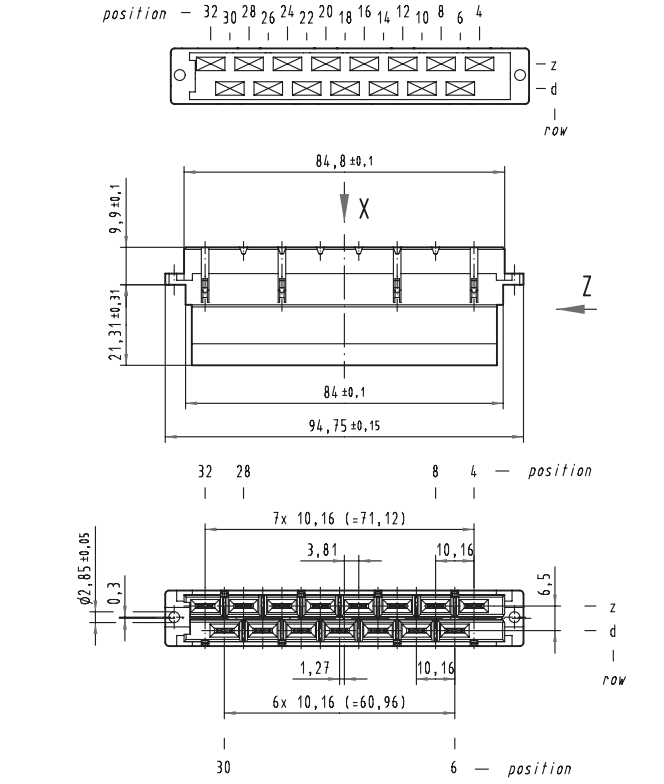




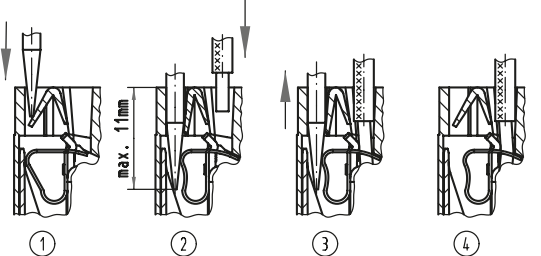
Technical drawing details:
 - Detail A: 2x Ø2.7, 6.7, 20.1, 128.7, 116.4, 99.7, 6.6, Ø3, 12.4, 3, 0, 6.7, 7.5, (2.15)
 - Visual surface: R2,95, 0.3, 7.5, 0.9

ACCX2001A Connector

1 pc 15 pol connector for DIN41612, female with case clamp.
 (Equivalent to Harting type 09060152813).

Technical drawing details:
 - Position: 32, 30, 28, 26, 24, 22, 20, 18, 16, 14, 12, 10, 8, 6, 4
 - Dimensions: 84,8 ± 0.1, 9,9 ± 0.1, 21,31 ± 0.31, 84 ± 0.1, 94,75 ± 0.15, 32, 28, 8, 4, 7x 10,16 (=71,12), 3,81, 10,16, 6,5, 0.3, 1,27, 10,16, 6x 10,16 (=60,96), 30, 6
 - Orientation: Z, d, row



① ② ③ ④

Screw driver width: 2.5 x 0.4 mm
 Stripping length: 4 - 7 mm
 Wire gauge: 0.14 - 1.5 mm² (AWG 26 - 16)