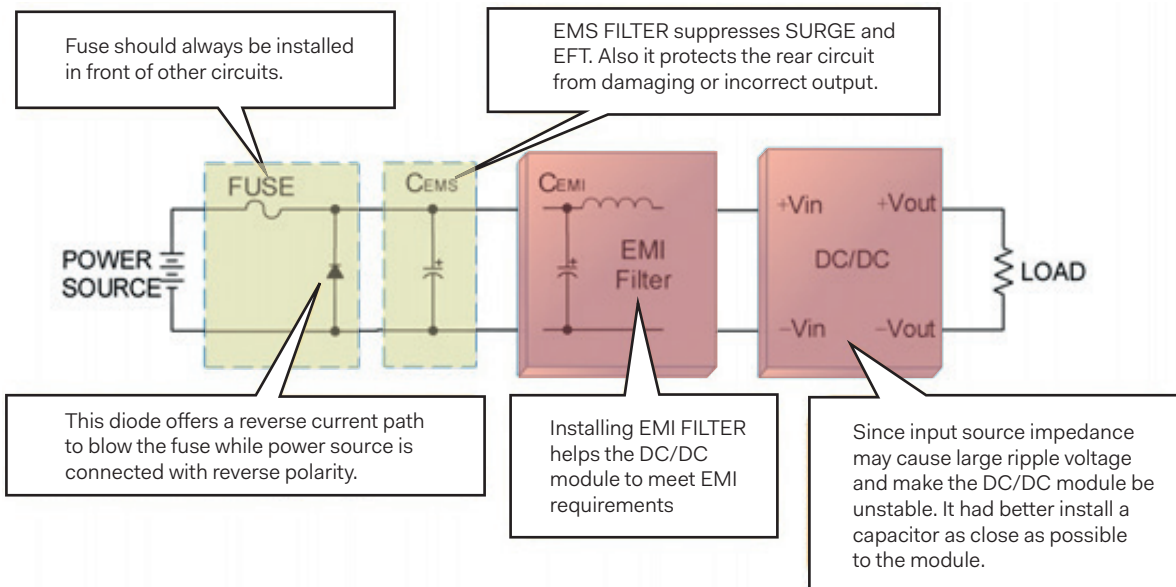


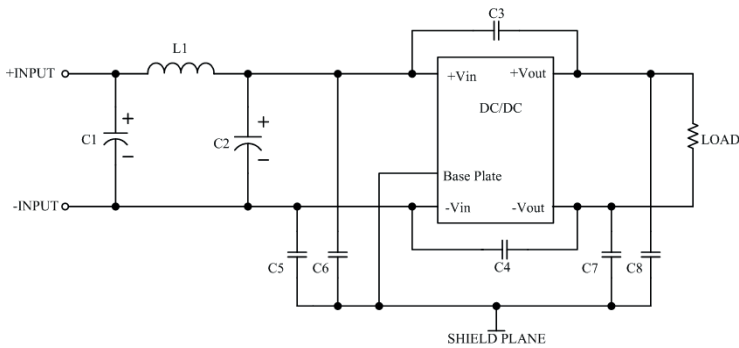
# P R B X

POWERBOX Industrial Line  
PQAE60U Series  
Up to 60W 12:1 Single Output  
DC/DC Converter  
Manual



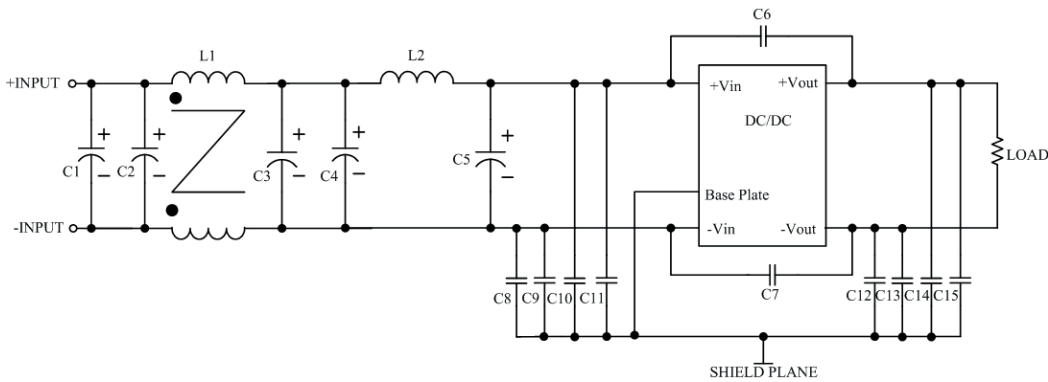
EMC Parameter		Conditions	Level
EMI	EN55011, EN55032	With external components	Class A, Class B
ESD	EN61000-4-2	Air $\pm 8\text{kV}$ and Contact $\pm 6\text{kV}$	Perf. Criteria A
Radiated immunity	EN61000-4-3	20 V/m	Perf. Criteria A
Fast transient	EN61000-4-4	$\pm 2\text{kV}$	Perf. Criteria A
	PQAE60-36S □□U	With 2 pcs of aluminum electrolytic capacitor (Nippon Chemi-con KY series, 220 $\mu\text{F}/100\text{V}$ )	
	PQAE60-72S □□U	With 2 pcs of aluminum electrolytic capacitor (Nippon Chemi-con KXJ series, 150 $\mu\text{F}/200\text{V}$ )	
Surge	EN61000-4-5	EN55024: $\pm 1\text{kV}$ and EN50155: $\pm 2\text{kV}$	Perf. Criteria A
	PQAE60-36S □□U	With 2 pcs of aluminum electrolytic capacitor (Nippon Chemi-con KY series, 220 $\mu\text{F}/100\text{V}$ )	
	PQAE60-72S □□U	With 2 pcs of aluminum electrolytic capacitor (Nippon Chemi-con KXJ series, 150 $\mu\text{F}/200\text{V}$ )	
Conducted immunity	EN61000-4-6	10 Vr.m.s	Perf. Criteria A
Power frequency magnetic field	EN61000-4-8	100A/m continuous; 1000A/m 1 second	Perf. Criteria A

POWERBOX Industrial Line  
 PQAE60U Series  
 Up to 60W 12:1 Single Output  
 DC/DC Converter  
 Manual



EN55032 CLASS\_A EMI Filter

EMC Components	EMS	EMI Class A				
	C <sub>EMS1</sub> C <sub>EMS2</sub>	C1	L1	C2	C3, C4	C5, C6 C7, C8
PQAE60-36SXXU	220uF 100V KY	N/A	short	220µF 100V KY Series	1000pF 400VAC TDK CD Series	1000pF 250VAC 1808 MLCC
PQAE60-72SXXU	150uF 200V KXJ	47µF 200V KXJ Series	8.2uH PMT-166	47µF 200V KXJ Series	1000pF 400VAC TDK CD Series	1000pF 250VAC 1808 MLCC



EN55032 CLASS B EMI Filter

EMC Components	EMS	EMI Class B							
	C <sub>EMS1</sub> C <sub>EMS2</sub>	C1	L1	C3	L2	C5	C6 C7	C8, C9, C11, C12 C13, C14, C15	C10
PQAE60-36SXXU	220uF 100V KY	100µF 100V KY Series	285µH Common Choke PMT-103	100µF 100V KY Series	short	N/A	1000pF 400VAC TDK CD Series	1000pF 250VAC 1808 MLCC	1000pF 250VAC 1808 MLCC
PQAE60-72SXXU	150uF 200V KXJ	47µF 200V KXJ Series	500µH Common Choke PMT-165	47µF 200V KXJ Series	8.2uH PMT-166	47µF 200V KXJ Series	1000pF 400VAC TDK CD Series	1000pF 250VAC 1808 MLCC	N/A