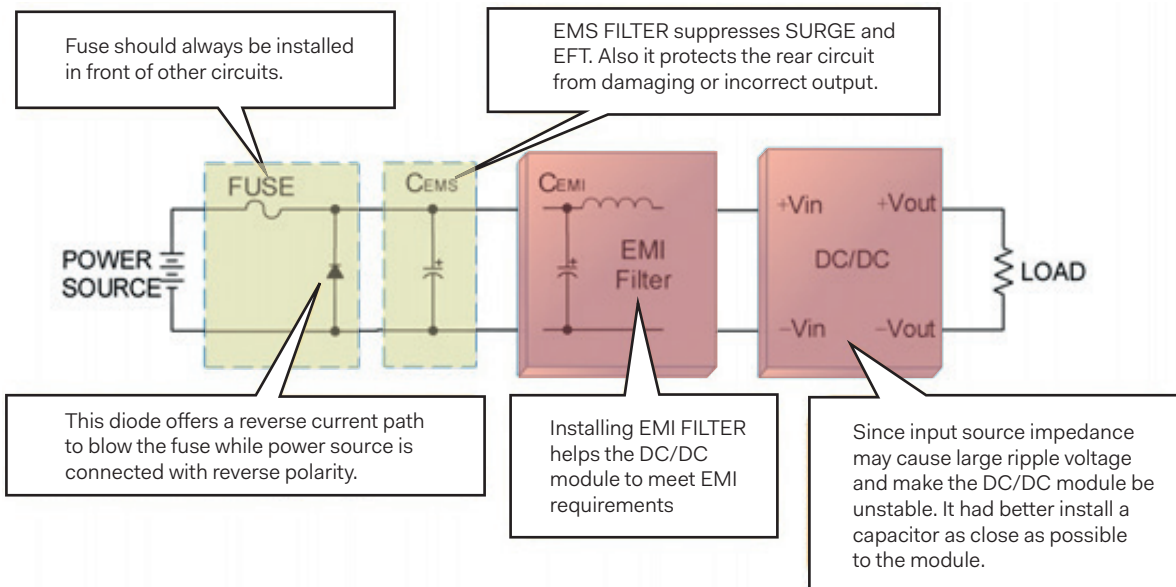


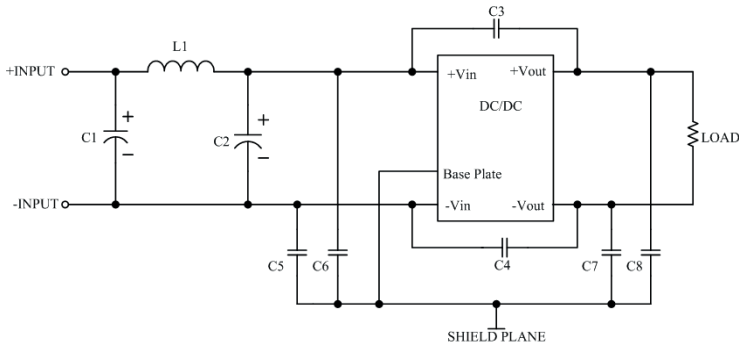
P R B X

POWERBOX Industrial Line
PQAE40U Series
Up to 40W 12:1 Single Output
DC/DC Converter
Manual



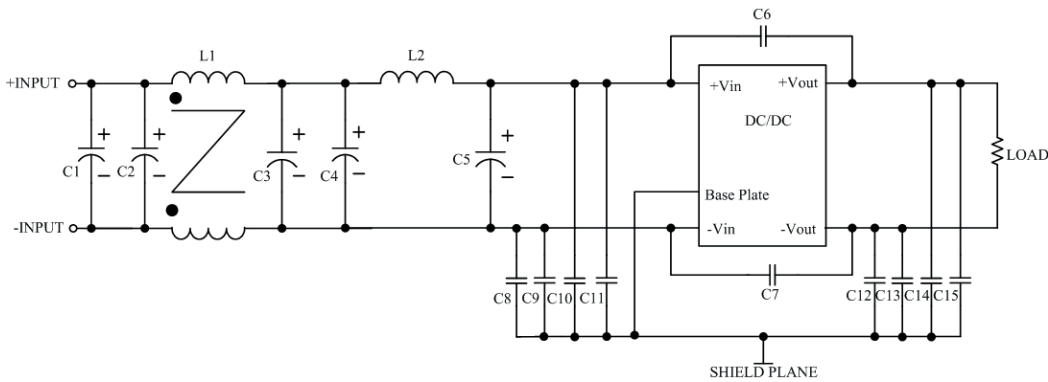
EMC Parameter	Conditions	Level
EMI	EN55011, EN55032	Class A, Class B
ESD	EN61000-4-2	Perf. Criteria A
Radiated immunity	EN61000-4-3	Perf. Criteria A
Fast transient	EN61000-4-4	Perf. Criteria A
	PQAE40-36S □□U	With 2 pcs of aluminum electrolytic capacitor (Nippon Chemi-con KY series, 220 μ F/100V)
	PQAE40-72S □□U	With 2 pcs of aluminum electrolytic capacitor (Nippon Chemi-con KXJ series, 150 μ F/200V)
Surge	EN61000-4-5	Perf. Criteria A
	PQAE40-36S □□U	EN55024: \pm 1kV and EN50155: \pm 2kV With 2 pcs of aluminum electrolytic capacitor (Nippon Chemi-con KY series, 220 μ F/100V)
	PQAE40-72S □□U	With 2 pcs of aluminum electrolytic capacitor (Nippon Chemi-con KXJ series, 150 μ F/200V)
Conducted immunity	EN61000-4-6	10 Vr.m.s
Power frequency magnetic field	EN61000-4-8	100A/m continuous; 1000A/m 1 second

POWERBOX Industrial Line
 PQAE40U Series
 Up to 40W 12:1 Single Output
 DC/DC Converter
 Manual



EN55032 CLASS_A EMI Filter

EMC Components	EMS	EMI Class A				
	C _{EMS1} C _{EMS2}	C1	L1	C2	C3, C4	C5, C6 C7, C8
PQAE40-36SXXU	220uF 100V KY	N/A	short	220µF 100V KY Series	1000pF 400VAC TDK CD Series	1000pF 250VAC 1808 MLCC
PQAE40-72SXXU	150uF 200V KXJ	47µF 200V KXJ Series	8.2uH PMT-166	47µF 200V KXJ Series	1000pF 400VAC TDK CD Series	1000pF 250VAC 1808 MLCC



EN55032 CLASS B EMI Filter

EMC Components	EMS	EMI Class B							
	C _{EMS1} C _{EMS2}	C1	L1	C3	L2	C5	C6 C7	C8, C9, C11, C12 C13, C14, C15	C10
PQAE40-36SXXU	220uF 100V KY	100µF 100V KY Series	285µH Common Choke PMT-103	100µF 100V KY Series	short	N/A	1000pF 400VAC TDK CD Series	1000pF 250VAC 1808 MLCC	1000pF 250VAC 1808 MLCC
PQAE40-72SXXU	150uF 200V KXJ	47µF 200V KXJ Series	500µH Common Choke PMT-165	47µF 200V KXJ Series	8.2uH PMT-166	47µF 200V KXJ Series	1000pF 400VAC TDK CD Series	1000pF 250VAC 1808 MLCC	N/A