

P R B X

POWERBOX Automotive Line ENA200 Series 200W Single Output DC/DC Converter Isolated

Features

Reliable front edge design
Very low component count
High efficiency
High power density
Wall mount mechanics
Low profile design
Conduction cooling

Input

Input voltage	See table.
Standby current	<1mA.
No load current	See table.
Polarity protection	Yes, by open circuit.
Input fuse	Recommended external fuse, see table.
Over voltage shut down	Yes, see table.
Under voltage shut down	Yes, see table.

Output

Output voltage	See table.
Output current	See table.
Short circuit protection	Yes, constant current limit at approx. 110%.
Over voltage protection	No.
Temperature protected	Yes, automatic recovery. Limits the output power.
Output ripple	200 mV p-p @ 25°C.
Hold-up time	No, by external capacitors if needed.
Line regulation	2%.
Load regulation	2 %.

Environmental

Humidity	100% RH non-condensing.
Ambient temperature	-20° to +50°C. Additional cooling plate required.
Vibration	5-50Hz, acc. ±7,35m/s ² .
RoHS II	Yes.
REACH	Yes.



General

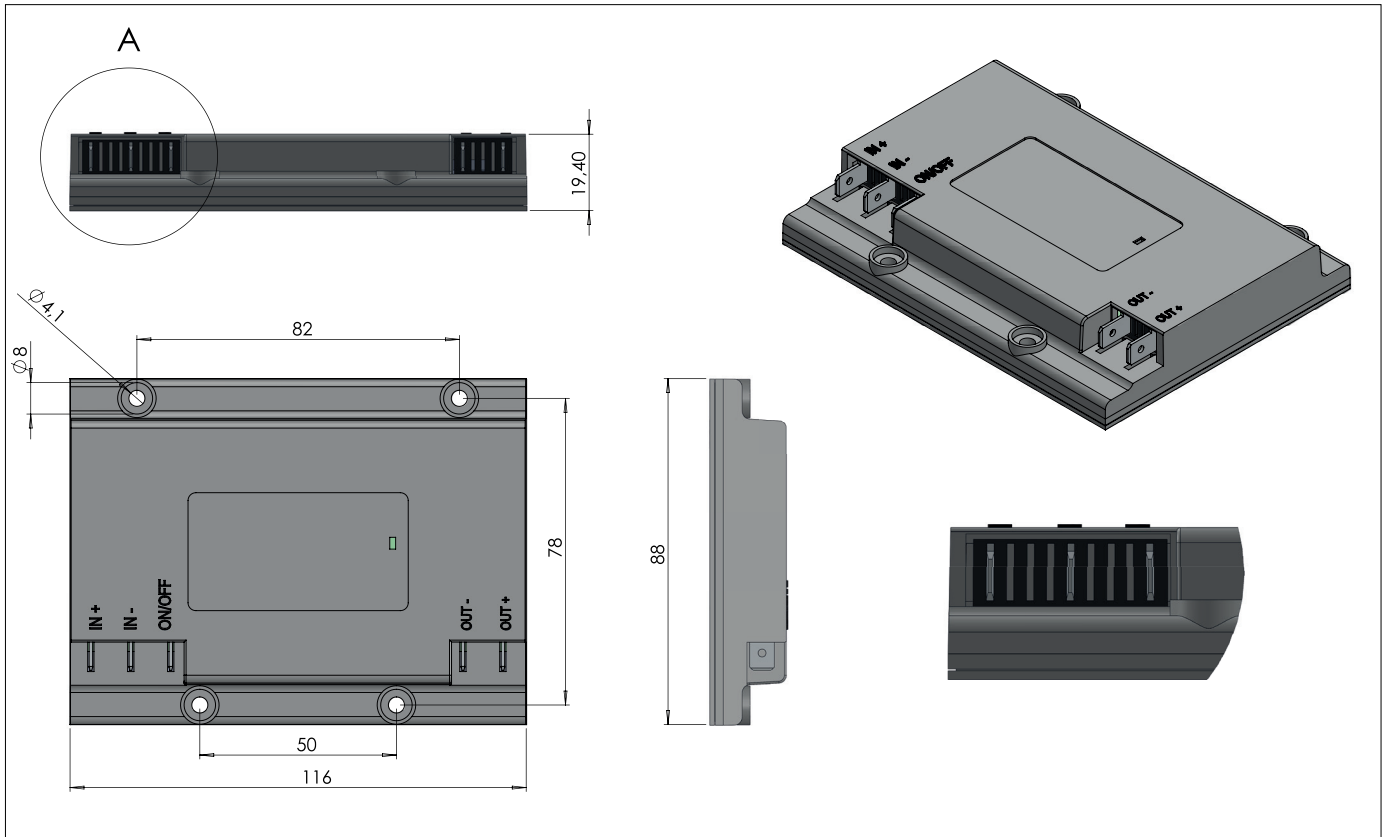
Indications	One green led indicating power ON.
Power efficiency	~95 %.
IP-class	IP21.
Cooling	Conduction max allowed baseplate temp 70°C.
Life time	5 years @ 25°C 80% load.
MTBF	>300 000 hours.
Isolation	Input/output: 500VDC. Input & output to case: 500VDC.
Dimensions	116x88x18 mm.
Housing	Plastic enclosure, polycarbonate.
Weight	~500g.
Input connection	6.3mm tab.
Output connection	6.3mm tab.
Remote on/off	6.3mm tab. Connect to IN+ to enable output.
Burn-in	30min.
PCB	1,2mm 4 layer 70u FR4.
Conformal coating	PCB component side.

Standards

EMC	EN61000-6-2;4-2;4-3;4-4;4-5;4-6.
Immunity	12V & 24V models: ISO7637-2. 48V models: EN12895:2000.
Surge	2kV.
Emission	EN55022A (conducted+radiated).
Safety	N/A.

Model Number	External Fuse	Input Voltage	Output Voltage	Output Current	No Load Current	Output Power	Input Under Voltage Shut Down		Input Over Voltage Shut Down	
							On	Off	On	Off
ENA200-12S12	35A	9-18V	12.5VDC	16A	<100mA	200W	10V	9V	18V	20V
ENA200-12S14	35A	9-18V	14.5VDC	13.8A	<100mA	200W	10V	9V	18V	20V
ENA200-12S24	35A	9-18V	24.5VDC	8A	<100mA	200W	10V	9V	18V	20V
ENA200-24S12	20A	18-35V	12.5VDC	16A	<100mA	200W	18V	17V	38V	40V
ENA200-24S24	20A	18-35V	24.5VDC	8A	<100mA	200W	18V	17V	38V	40V
ENA200-48S12	10A	36-65V	12.5VDC	16A	<30mA	200W	34V	32V	74V	80V
ENA200-48S24	10A	36-65V	24.5VDC	8A	<30mA	200W	34V	32V	74V	80V

POWERBOX Automotive Line
ENA200 Series
200W Single Output
DC/DC Converter Isolated



Specifications are subject to change without notice.