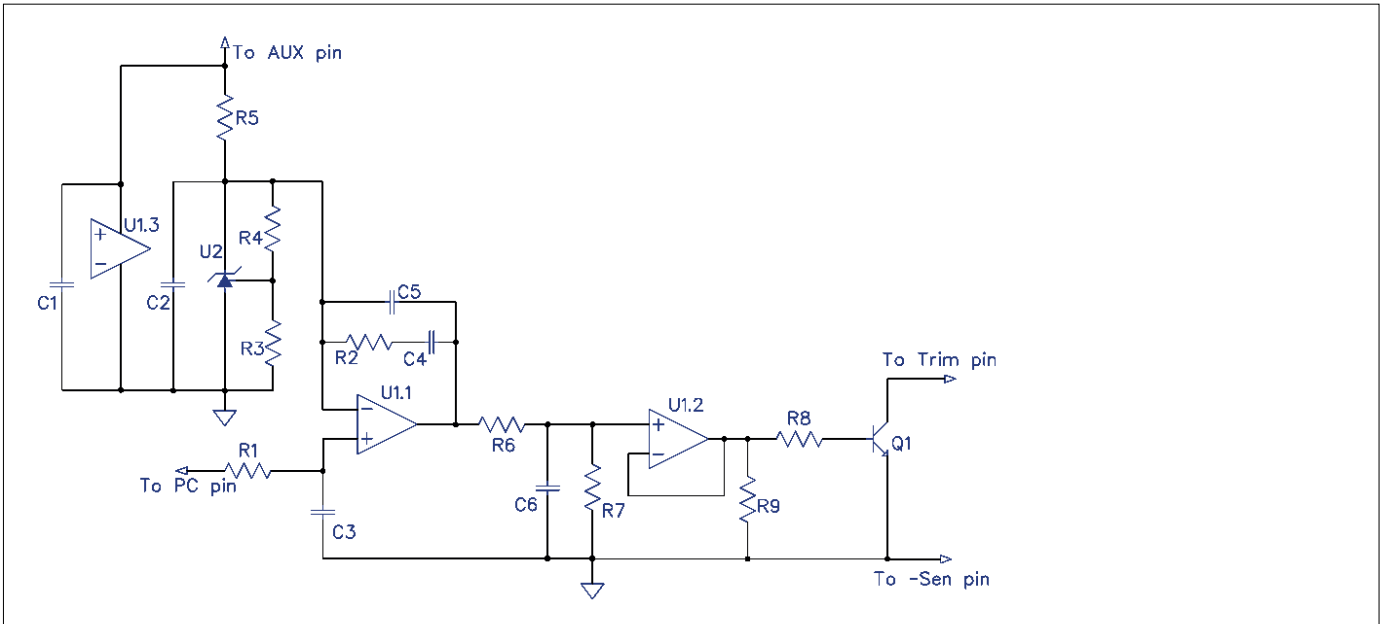
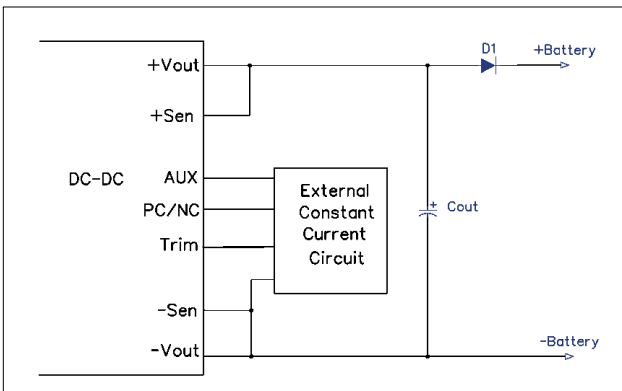


Constant Current Circuit



Connect to Module



Component List (reference)

Description	Value(Kohms)	Description	Value	Description	Value
R1	5100	C1	0.1uF	U1	OPA, LM2904DGK, Ti
R2	1200	C2	0.1uF	U2	Shunt Reg., AS431ANTR-E1(G1), BCD
R3	2320	C3	2200pF	Q1	NPN Transistor, 2SC2712, Rohm
R4	2000	C4	0.01uF	D1	Schottky Rectifier, 30V/30A min.
R5	2000	C5	--		
R6	1000	C6	--		
R7	--	Cout	470uF		
R8	1000				
R9	20000				